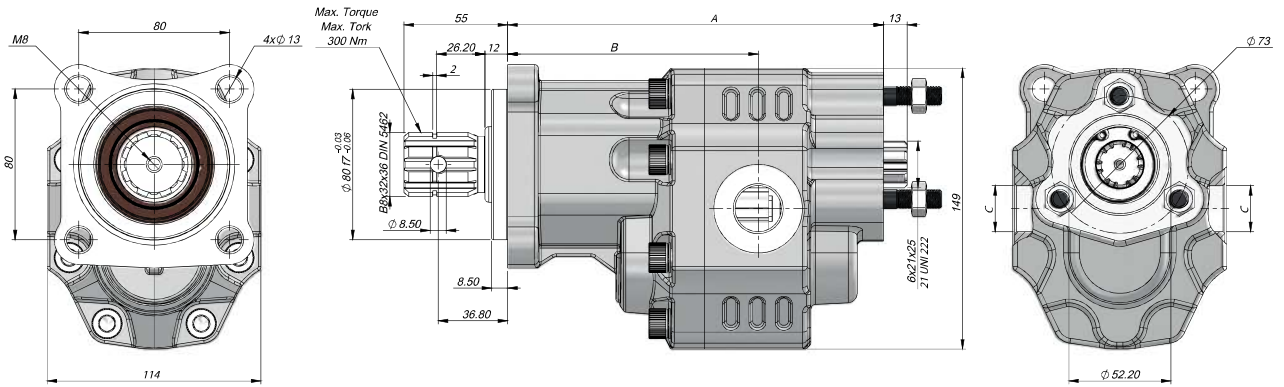


4 DELİKLİ ISO TANDEM DİŞLİ POMPA | 4 HOLES ISO TANDEM GEAR PUMP

| | | | |
|--|--------------------------|---------------|-----------------|
| Giriş Basıncı Inlet Pressure | | 0.3÷ 2 bar | |
| Çalışma Viskozite Seviyesi Operating Viscosity Range | | -12:100 cSt | |
| Sıvı Sıcaklığı Fluid Temperature | | -40 °C+145 °C | |
| Çalışma Basıncı Working Pressure | Kirlilik Contamination | | Filtre Filter |
| | NAS 1638 | ISO 4406 | $\beta_x=75$ |
| ≥ 200 bar | 11 | 20/17 | 25 μ m |
| ≤ 200 bar | 12 | 21/18 | 40 μ m |



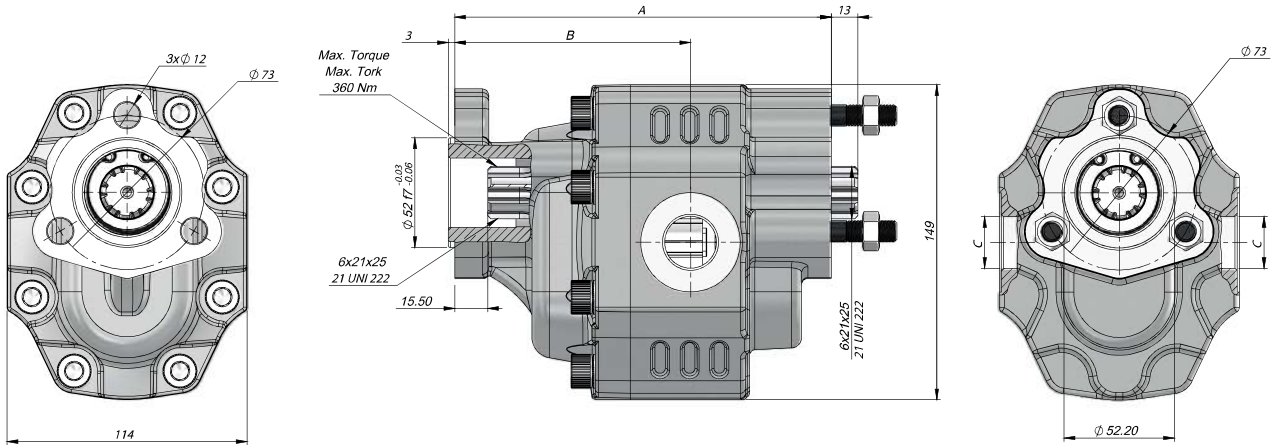
| Kod Code | | | İletim Hacmi Displacement | Maks.Sürekli Basınc Max.Continuous Pressure | Min. Hız Min.Speed | Maks.Sürekli Hız Max.Continuous Speed | A | B | Giriş Inlet | Çıkış Outlet |
|--------------|--------------|--------------|---------------------------|---|--------------------|---------------------------------------|-------|-------|-------------|--------------|
| Sol / Left | Sağ / Right | BD | (cm ³ /rev) | (100%)(BAR) | (RPM) | (RPM) | (mm) | (mm) | C | D |
| GT30017SF111 | GT30017SF121 | GT30017SF131 | 17 | 300 | 300 | 2600 | 182,5 | 123,5 | G1/2" | G1/2" |
| GT30027SF111 | GT30027SF121 | GT30027SF131 | 27 | 290 | | | 188,5 | 126,5 | | |
| GT30034SF111 | GT30034SF121 | GT30034SF131 | 34 | 285 | | 2300 | 193,5 | 128,5 | G3/4" | G3/4" |
| GT30036SF111 | GT30036SF121 | GT30036SF131 | 36 | | | | 195 | 128,5 | | |
| GT30038SF111 | GT30038SF121 | GT30038SF131 | 38 | | | | 193,5 | 128,5 | | |
| GT30043SF111 | GT30043SF121 | GT30043SF131 | 43 | 280 | | 2100 | 199,5 | 133 | | |
| GT30051SF111 | GT30051SF121 | GT30051SF131 | 51 | 230 | | | 204,5 | 134,5 | | |
| GT30061SF111 | GT30061SF121 | GT30061SF131 | 61 | 225 | | 2000 | 212,5 | 138,5 | G1" | G1" |
| GT30073SF111 | GT30073SF121 | GT30073SF131 | 73 | 215 | | 1800 | 217,5 | 146,5 | | |
| GT30082SF111 | GT30082SF121 | GT30082SF131 | 82 | 200 | | 1700 | 223,5 | 146 | G1 1/4" | G1 1/4" |
| GT30100SF111 | GT30100SF121 | GT30100SF131 | 100 | 190 | | 1600 | 236,5 | 160 | | |
| GT30125SF111 | GT30125SF121 | GT30125SF131 | 125 | 170 | | | 252,5 | 164 | | |

*The values in the table refer to unidirectional pumps. Reversible pump max pressures are 10% lower than those shown in table. For different working conditions please consult our sales department.

TEKNİK VERİLER | TECHNICAL DATA

3 DELİKLİ UNI TANDEM DİŞLİ POMPA | 3 HOLES UNI TANDEM GEAR PUMP

| | | | |
|--|--------------------------|----------|-----------------|
| Giriş Basıncı Inlet Pressure | 0.3÷ 2 bar | | |
| Çalışma Viskozite Seviyesi Operating Viscosity Range | -12:100 cSt | | |
| Sıvı Sıcaklığı Fluid Temperature | -40 °C+145 °C | | |
| Çalışma Basıncı Working Pressure | Kirlilik Contamination | | Filtre Filter |
| | NAS 1638 | ISO 4406 | $\beta_x=75$ |
| ≥200 bar | 11 | 20/17 | 25 μ m |
| ≤200 bar | 12 | 21/18 | 40 μ m |



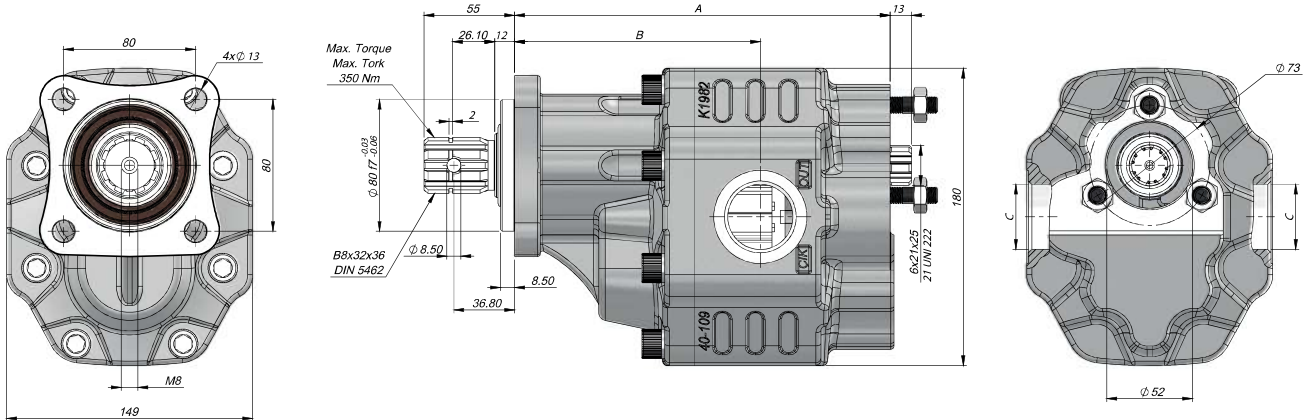
| Kod Code | | | İletim Hacmi Displacement | Maks.Sürekli Basınç Max.Continuous Pressure | Min. Hız Min.Speed | Maks.Sürekli Hız Max.Continuous Speed | A | B | Giriş Inlet | Çıkış Outlet |
|--------------|--------------|--------------|---------------------------|---|--------------------|---------------------------------------|-------|---------|-------------|--------------|
| Sol / Left | Sağ / Right | BD | | | | | | | | |
| GT30017UF411 | GT30017UF421 | GT30017UF431 | 17 | 300 | 300 | 2600 | 161 | 102 | G1/2" | G1/2" |
| GT30027UF411 | GT30027UF421 | GT30027UF431 | 27 | 290 | | | 167 | 105 | | |
| GT30034UF411 | GT30034UF421 | GT30034UF431 | 34 | 285 | | 2300 | 172 | 107 | G3/4" | G3/4" |
| GT30036UF411 | GT30036UF421 | GT30036UF431 | 36 | | | | 173,5 | 118,5 | | |
| GT30038UF411 | GT30038UF421 | GT30038UF431 | 38 | 280 | | 2100 | 174 | 118,5 | G1" | G1" |
| GT30043UF411 | GT30043UF421 | GT30043UF431 | 43 | | | | 176 | 111,5 | | |
| GT30051UF411 | GT30051UF421 | GT30051UF431 | 51 | 230 | | 183 | 113 | G1 1/4" | G1 1/4" | |
| GT30061UF411 | GT30061UF421 | GT30061UF431 | 61 | 225 | | 191 | 117 | | | |
| GT30073UF411 | GT30073UF421 | GT30073UF431 | 73 | 215 | | 1800 | 196 | 125 | G1 1/4" | G1 1/4" |
| GT30082UF411 | GT30082UF421 | GT30082UF431 | 82 | 200 | | 1700 | 202 | 124,5 | | |
| GT30100UF411 | GT30100UF421 | GT30100UF431 | 100 | 190 | | 1600 | 215 | 138,5 | G1 1/4" | G1 1/4" |
| GT30125UF411 | GT30125UF421 | GT30125UF431 | 125 | 170 | | | 231 | 142,5 | | |

*The values in the table refer to unidirectional pumps. Reversible pump max pressures are 10% lower than those shown in table. For different working conditions please consult our sales department.

TEKNİK VERİLER | TECHNICAL DATA

4 DELİKLİ ISO TANDEM DİŞLİ POMPA | 4 HOLES ISO TANDEM GEAR PUMP

| | | | |
|--|--------------------------|---------------|-----------------|
| Giriş Basıncı Inlet Pressure | | 0.3÷ 2 bar | |
| Çalışma Viskozite Seviyesi Operating Viscosity Range | | -12:100 cSt | |
| Sıvı Sıcaklığı Fluid Temperature | | -40 °C+145 °C | |
| Çalışma Basıncı Working Pressure | Kirlilik Contamination | | Filtre Filter |
| | NAS 1638 | ISO 4406 | $\beta_x=75$ |
| ≥200 bar | 11 | 20/17 | 25 µm |
| ≤200 bar | 12 | 21/18 | 40 µm |



| Kod Code | | İletim Hacmi Displacement | Maks.Sürekli Basınç Max.Continuous Pressure | Min. Hız Min.Speed | Maks.Sürekli Hız Max.Continuous Speed | A | B | Giriş Inlet | Çıkış Outlet | |
|--------------|--------------|---------------------------|---|--------------------|---------------------------------------|------|-----|-------------|--------------|-------|
| Sol / Left | Sağ / Right | | | | | | | | | BD |
| GT40063SF111 | GT40063SF121 | GT40063SF131 | 63 | 290 | 300 | 1800 | 211 | 139 | G1" | G3/4" |
| GT40073SF111 | GT40073SF121 | GT40073SF131 | 73 | 280 | | | 215 | 139 | G1 1/4" | |
| GT40087SF111 | GT40087SF121 | GT40087SF131 | 87 | 260 | | | 220 | 143 | | |
| GT40109SF111 | GT40109SF121 | GT40109SF131 | 109 | 250 | | | 228 | 149 | G1 1/2" | |
| GT40133SF111 | GT40133SF121 | GT40133SF131 | 133 | 220 | | | 237 | 150 | | |
| GT40151SF111 | GT40151SF121 | GT40151SF131 | 151 | 180 | | | 243 | 152,5 | | |

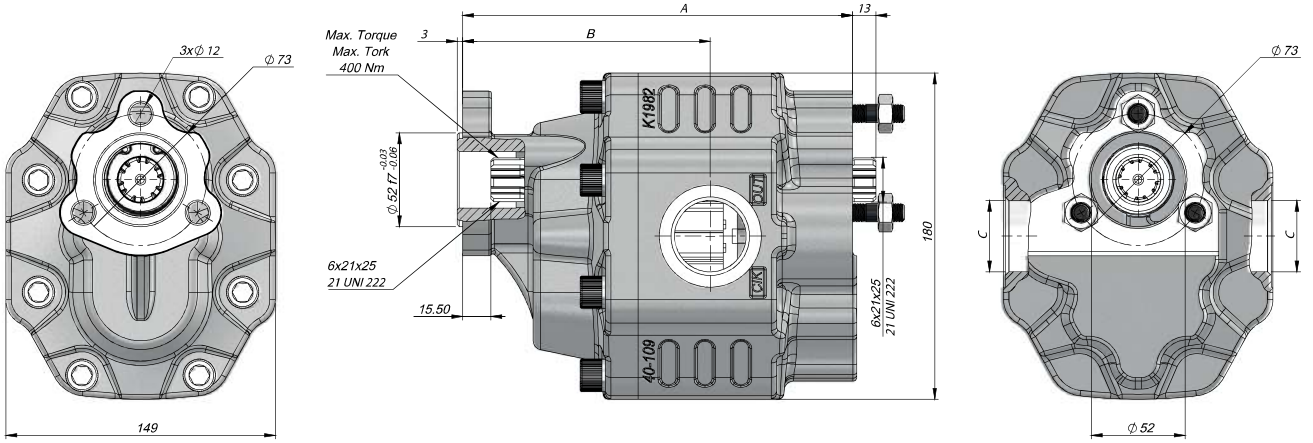
*The values in the table refer to unidirectional pumps. Reversible pump max pressures are 10% lower than those shown in table. For different working conditions please consult our sales department.

TEKNİK VERİLER | TECHNICAL DATA

3 DELİKLİ UNI TANDEM DİŞLİ POMPA | 3 HOLES UNI TANDEM GEAR PUMP

| | | | |
|--|--------------------------|---------------|-----------------|
| Giriş Basıncı Inlet Pressure | | 0.3÷ 2 bar | |
| Çalışma Viskozite Seviyesi Operating Viscosity Range | | -12:100 cSt | |
| Sıvı Sıcaklığı Fluid Temperature | | -40 °C+145 °C | |
| Çalışma Basıncı Working Pressure | Kirlilik Contamination | | Filtre Filter |
| | NAS 1638 | ISO 4406 | $\beta_x=75$ |
| ≥200 bar | 11 | 20/17 | 25 µm |
| ≤200 bar | 12 | 21/18 | 40 µm |

GANI SERIES
GEAR PUMP



| Kod Code | | İletim Hacmi Displacement | Maks.Sürekli Basınç Max.Continuous Pressure | Min. Hız Min.Speed | Maks.Sürekli Hız Max.Continuous Speed | A | B | Giriş Inlet | Çıkış Outlet | |
|--------------|--------------|---------------------------|---|--------------------|---------------------------------------|------|-----|-------------|--------------|-------|
| Sol / Left | Sağ / Right | | | | | | | | | BD |
| GT40063UF411 | GT40063UF421 | GT40063UF431 | 63 | 290 | 300 | 1800 | 199 | 127 | G1" | G3/4" |
| GT40073UF411 | GT40073UF421 | GT40073UF431 | 73 | 280 | | | 203 | 127 | G1 1/4" | |
| GT40087UF411 | GT40087UF421 | GT40087UF431 | 87 | 260 | | | 208 | 131 | | |
| GT40109UF411 | GT40109UF421 | GT40109UF431 | 109 | 250 | | | 216 | 137 | G1 1/2" | |
| GT40133UF411 | GT40133UF421 | GT40133UF431 | 133 | 220 | | | 225 | 138 | | |
| GT40151UF411 | GT40151UF421 | GT40151UF431 | 151 | 180 | | | 231 | 140,5 | | |

*The values in the table refer to unidirectional pumps. Reversible pump max pressures are 10% lower than those shown in table.
For different working conditions please consult our sales department.