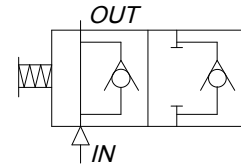
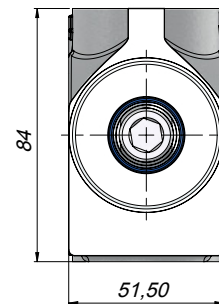
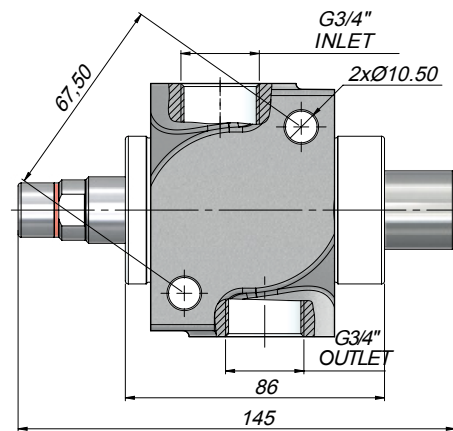


Mechanically operated end of stroke valve. Used for single or multi way tipping system to limit the hoist stroke.

- 110 L/Min flow rate.
- Mechanically operated.



HYDRAULIC SYMBOL



| Code | Flow Rate (L/Min) | Max. Working Pressure (BAR) | Fluid Temperature (°C) | Operating Viscosity Range (cSt) | Port Size (BSPP) |
|--------|-------------------|-----------------------------|------------------------|---------------------------------|------------------|
| VK2110 | 110 | 190 | -10 – +80 | -12 – 100 | 3/4" |

Recommended minimum filtration 25µm

