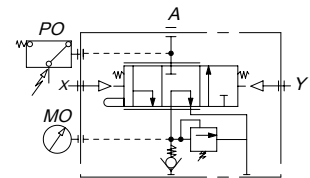


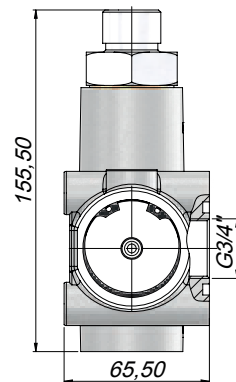
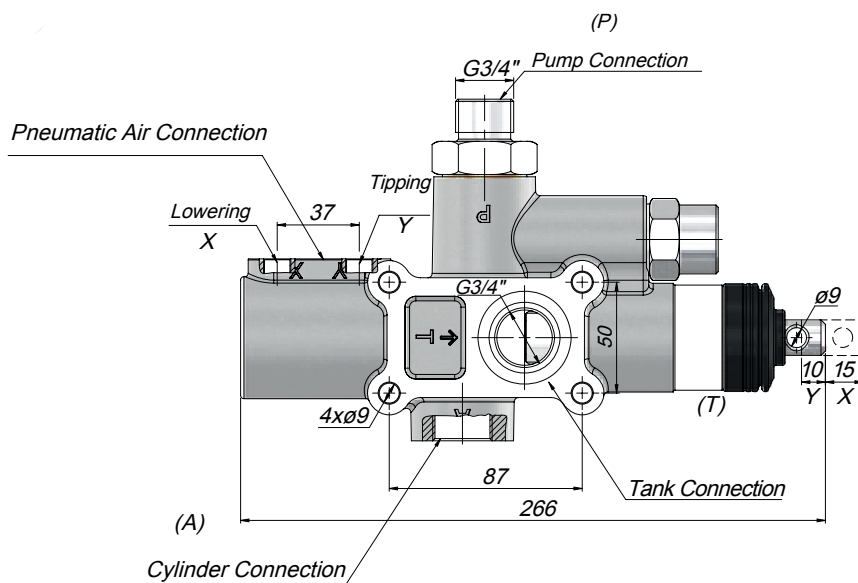


Pneumatically operated 3 position tipping valve for medium duty & rigid tipper applications.

- Adjustable pressure relief valve preset to 140BAR.
- Built in check valve.
- Chassis or tank mount option.
- Configured for mechanical end of stroke.



HYDRAULIC SYMBOL



Code	Flow Rate (L/Min)	Max. Working Pressure (BAR)	Fluid Temperature (°C)	Operating Viscosity Range (cSt)	Pneumatic Working Pressure (BAR)	Weight (Kg)
V130120	140	350	-10 – +80	-12 – 100	7-12	8

Recommended minimum filtration 25µm

Spare parts	
Mounting kit	MK012
Seal kit	HTSK012
Rubber Boot	8500040

