



Simple, compact and heavy duty designed monoblock valves from 1 to 6 sections for open and closed centre hydraulic systems.

- Fitted with a main pressure relief valve and a load check valve.
- 3/4" BSPP Ports.
- High pressure carry-over port.
- Available in manual, pneumatic, hydraulic & electro-pneumatic spool control kits.

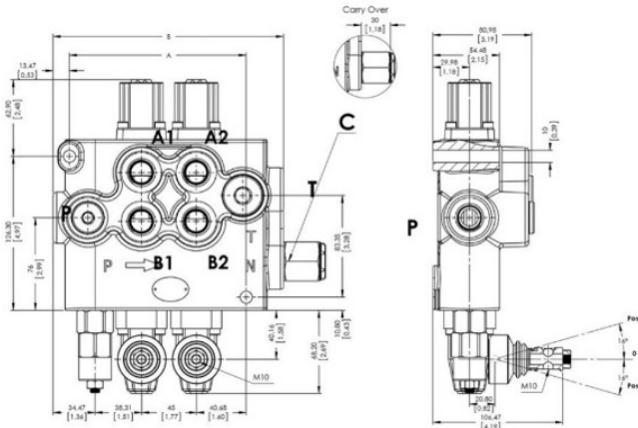
Working Conditions	
Nominal Flow Rating	100 l/min
Maximum Working Pressure (Parallel Circuit)	315 Bar
(Series Circuit)	250 Bar
Max. Back Pressure	25 Bar
Oil Temperature with NBR Seals	-20 to 80°C
with FPM (Viton) Seals	-20 to 100°C
Oil Viscosity – Operating Range	From 10 to 75 cSt
Oil Viscosity – Minimum / Maximum	10 / 400 cSt
Oil Filtration	≤30 μ
Ambient Temperature Range	-35 to 60°C
Number Of Spools	1 to 6
Internal Leakage (at 100 bar (1450 PSI), 40°C (110 F°), 46 cSt – A(B)—T)	3 cm³/min

Note: This catalogue shows technical specifications measured with mineral oil of 46 cSt viscosity at 40 C° temperature.

Monoblock Directional Control Valve Coding

Body Type	Flow Rate	No. of spools	Spool #1 Type	Controller #1 type	Spool #2 Type	Controller #2 type	Port size	Outlet section
M-	100-	2-	1A	SR-	4A	D-	3/4"	CO





M-100 Monoblock Directional Control Valves – 3/4"

Valve Body	A (mm)	B (mm)
M-100-1P	108	137
M-100-2P	153	182
M-100-3P	198	227
M-100-4P	243	272
M-100-5P	288	317
M-100-6P	333	362

Base Valve Code	Spools	Max Flow	Max Pressure	Port Size	Weight (Kg)
M-100-1-1ASR-3/4"	1	100LPM	315BAR	P, A & B 3/4" BSPP T 3/4" BSPP	5.65
M-100-2-1ASR-3/4"	2				8.25
M-100-3-1ASR-3/4"	3				10.85
M-100-4-1ASR-3/4"	4				13.45
M-100-5-1ASR-3/4"	5				16.05
M-100-6-1ASR-3/4"	6				18.65

Spool Controllers	Description (SR fitted as standard)
M-100-SR	3 position spring return kit
M-100-D	3 position detent kit
M-100-EP	Electric over pneumatic pilot kit
M-100-P	Pneumatic pilot kit
M-100-SEC	Electric pilot kit 12vDC/24vDC
M-100-LC	Manual lever cap & handle assembly
M-100-HL	Remote cable kit

Spool Types	Description
M-100-1A-SP	Double acting cylinder spool
M-100-4A-SP	Motor Spool A & B ports open to tank
M-100-5A-SP	Single acting spool user in A
M-100-6A-SP	Single acting spool user in B

Outlet Options	Description
M-100-CO	High pressure carry over (3/4" BSPP)

Relief Valve	Description
2SMR2100120	M100 Relief valve adjustable 60-200 BAR
2SMR3100220	M100 Relief valve adjustable 160-315 BAR

