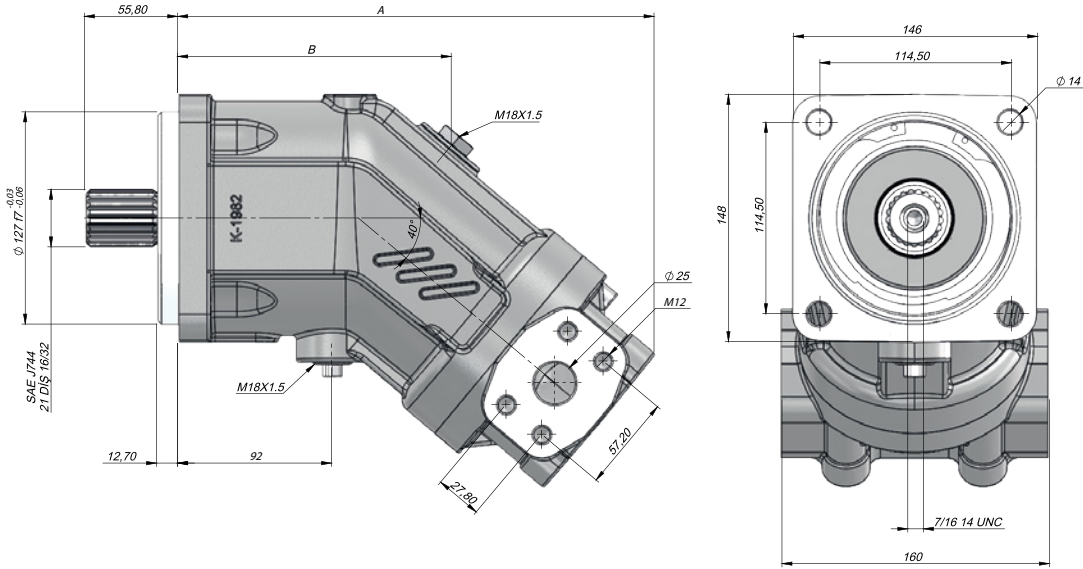


TEKNİK VERİLER | TECHNICAL DATA

4 DELİKLİ SAE C EKSENEL PİSTONLU MOTOR | 4 HOLES SAE C BENT AXIS MOTOR



PISTON
PUMP

Kod Code	İletim Hacmi Displacement (cm ³ /rev)	Tork / Torque (NM)		Maks. Hiz Max. Speed (RPM)		A (mm)	B (mm)
		350(BAR)	400(BAR)	(NOM)	(MAX.)		
AM080C2SF2133	80	448	512	4500	5000	235.30	163.50
AM090C2SF2133	90	501	573				